

P4K-HH1S4 P4K-HH1S8

4K HDMI 一對四/一對八 訊號分配器 使用說明書

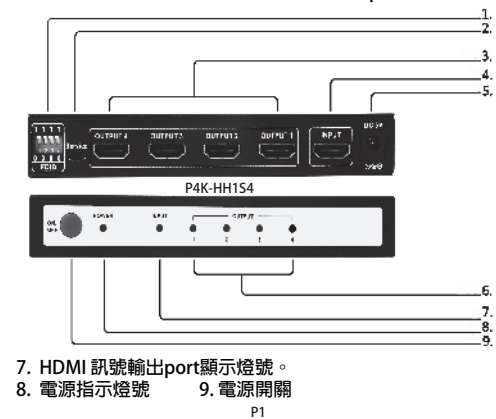


產品功能簡介

- 本產品 P4K-HH1S4/P4K-1S8為 HDMI 一對四/一對八訊號分配器。
- 可以串接達16級。
- 內含 EDID copy、parsing機制，自動擷取編輯螢幕端解析度資訊，使DVD完整辨識輸出格式。
- 提供客戶在連結DVD播放器、電腦與電視、投影機間多重影像訊號輸出使用。
- 需外接 DC5V電源供應即可動作。
- 工作電流 P4K-HH1S4 220mA / P4K-HH1S8 680mA。

產品外觀說明

1. HDMI 訊號輸出解析度設定鍵。
2. 軟體更新電腦連接埠。
3. HDMI 訊號輸出port。
4. HDMI 訊號輸入port。
5. DC5V電源插孔。
6. HDMI訊號輸出port顯示燈號。



7. HDMI 訊號輸出port顯示燈號。
8. 電源指示燈號
9. 電源開關

P4K-HH1S4 P4K-HH1S8

4K HDMI 1X4 / 1X8 Splitter User Manual

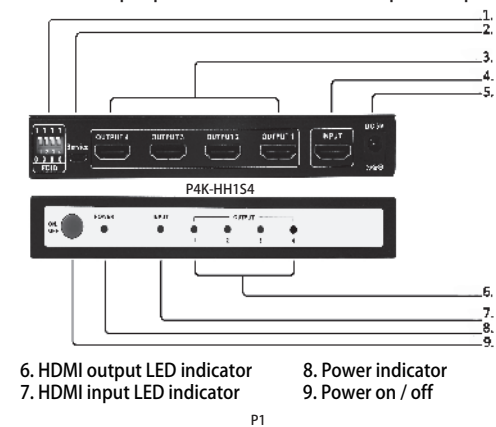


Product Description

- P4K-HH1S4/P4K-HH1S8 is a 1 to 4 / 1 to 8 HDMI Splitter Cascade upto 16 layers.
- Auto EDID copy or parsing, feedback the complete video information to DVD player.
- Enables image and sound from your HD satellite receiver, set-top box, games computer or Blu-ray Player to be simultaneously shown on 8 screens.
- System turns on when the DC 5V power supply connected
- Rated current 220mA for P4K-HH1S4/680mA for P4K-HH1S8

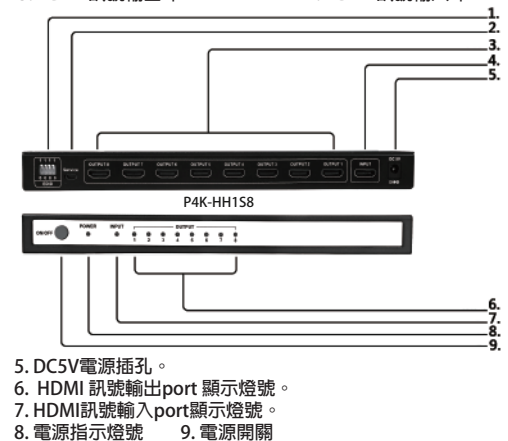
Product Information

1. HDMI output resolution setting
2. Software upgrade port
3. HDMI output port
4. HDMI input port
5. DC5V power input



6. HDMI output LED indicator
7. HDMI input LED indicator
8. Power indicator
9. Power on / off

1. HDMI 訊號輸出解析度設定鍵。
2. 軟體更新電腦連接埠。
3. HDMI 訊號輸出埠。
4. HDMI 訊號輸入埠。

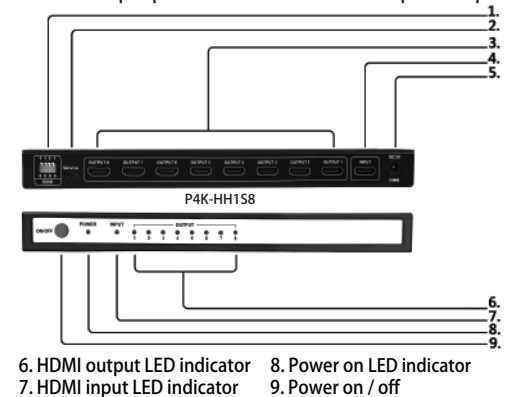


5. DC5V電源插孔。
6. HDMI 訊號輸出port 顯示燈號。
7. HDMI訊號輸入port顯示燈號。
8. 電源指示燈號
9. 電源開關

產品規格

- HDMI 1.4 and 2.0 compliant
- HDCP 1.2
- HDMI 4K x 2K @60p (4:2:0)
- HDMI 4K x 2K @30p/1080p/1080i/720p/576p/576i/480p/480i
- HDMI 1080p 3D @60p
- Deep color 24bit/30bit/36bit
- LPCM/Dolby-AC3/Dolby True HD/DTS MD master audio
- Input HDMI cable distance ≤15m
- Output HDMI cable distance ≤5m
- Data transfer throughput 3.0Gbps
- Operating temperature 0~55°C

1. HDMI output resolution setting
2. Software upgrade port
3. HDMI output port
4. HDMI input port
5. DC5V power input



6. HDMI output LED indicator
7. HDMI input LED indicator
8. Power on LED indicator
9. Power on / off

Specification

- HDMI 1.4 and 2.0 compliant
- HDCP 1.2
- HDMI 4K x 2K @60p (4:2:0)
- HDMI 4K x 2K @30p/1080p/1080i/720p/576p/576i/480p/480i
- HDMI 1080p 3D @60p
- Deep color 24bit/30bit/36bit
- LPCM/Dolby-AC3/Dolby True HD/DTS MD master audio
- Input HDMI cable distance ≤15m
- Output HDMI cable distance ≤5m
- Data transfer throughput 3.0Gbps
- Operating temperature 0~55°C

- Operating humidity 5%~90% RH
- Power adaptor AC in 100~240V (50~60Hz)
- Power Jack 2.0mm, +5V 1A
- ESD protection air gap discharge ±8KV, contact discharged ±4KV

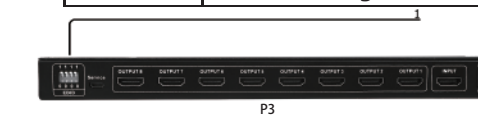
產品使用說明

- 將 P4K-HH1S4/P4K-HH1S8 HDMI一對四/一對八訊號分配器以 HDMI cable 分別接上訊號源欲輸入設備；如遊戲機或 DVD player，與訊號輸出之顯示端設備；如電視或投影機。
- 開啟訊號輸入源設備與訊號輸出之顯示端設備。
- 將 DC5V 之電源供應器插入電源插座並連接上P4K-HH1S4/P4K-HH1S8 HDMI一對四/一對八訊號分配器，開啟電源即可顯示影像。



- 當遇到不同解析度之顯示器混用時，為避免低解析度顯示器無法正常顯示4K高畫質影像訊號，可參考下表，事先將(1) HDMI 訊號輸出解析度設定鍵，調整至適當解析度。

DIP SWITCH	Resolution
0000	4K @30p
0001	1080p @60p
0010	TV EDID Copy From Port 1
0011	TV EDID Parsing



- Operating humidity 5%~90% RH
- Power adaptor AC in 100~240V (50~60Hz)
- Power Jack 2.0mm, +5V 1A
- ESD protection air gap discharge ±8KV, contact discharged ±4KV

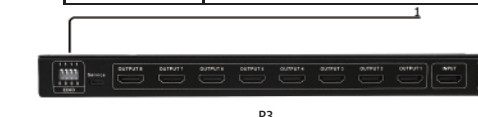
Instructions

- Connect the HDMI cable from your signal source to the HDMI Input port of P4K-HH1S4/P4K-HH1S8 and connect the HDMI cable from your display to the HDMI Output port of P4K-HH1S4/P4K-HH1S8
- Turn on all the devices
- Connect the included power adapter to the DC jack, then plug it into an AC outlet and turn on P4K-HH1S4/P4K-HH1S8



- While one of the displays isn't capable to display 4K HDMI, please limit the output resolution lower. Set the switch (1) to optimize HDMI output resolution.

DIP SWITCH	Resolution
0000	4K @30p
0001	1080p @60p
0010	TV EDID Copy From Port 1
0011	TV EDID Parsing



產品包裝說明

- P4K-HH1S4/P4K-HH1S8 HDMI 一對四/一對八訊號分配器。 X1
- DC5V之電源供應器。 X1
- 產品使用說明書。 X1
- 產品總重 P4K-HH1S4 410克 / P4K-HH1S8 955克。



P4K-HH1S4



P4K-HH1S8

※照片中配件外觀僅供參考,外觀依實際附上之配件為主。

產品保證

正常使用下自購買日起保固一年。

Package Content & Weight

- P4K-HH1S4/P4K-HH1S8 HDMI splitter X1
- IDC5V power adaptor X1
- User Manual X1
- Total weight 410g for the P4K-HH1S4 and 955g for P4K-HH1S8



P4K-HH1S4



P4K-HH1S8

※The looking of the accessories are subject to the actual and change without notice basis.

WARRANTY

The period of warranty shall start from the date of delivery of the product to the customer and shall cover a period of a year.